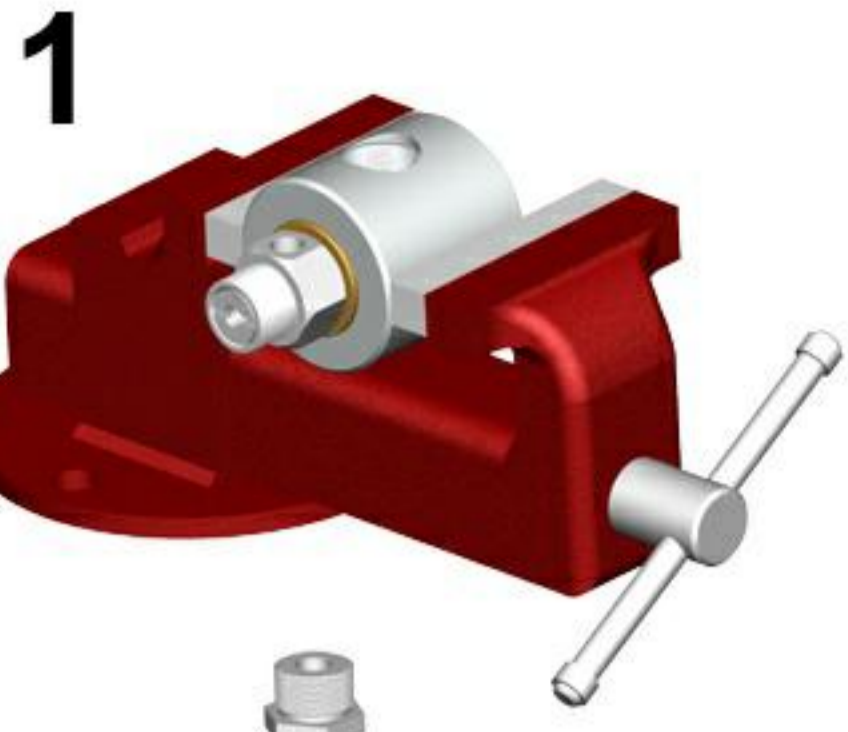
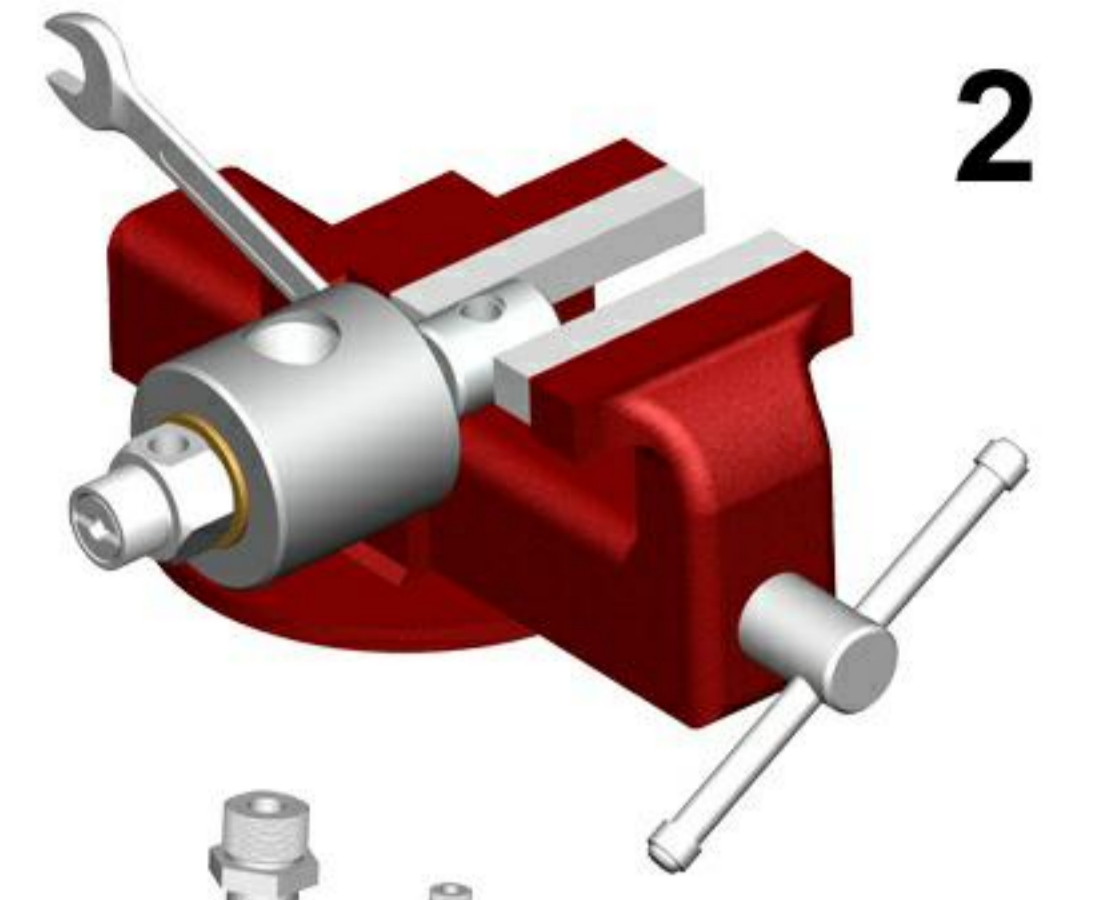


6000 SERIES ROTATING JOINTS INSTALLATION INSTRUCTIONS

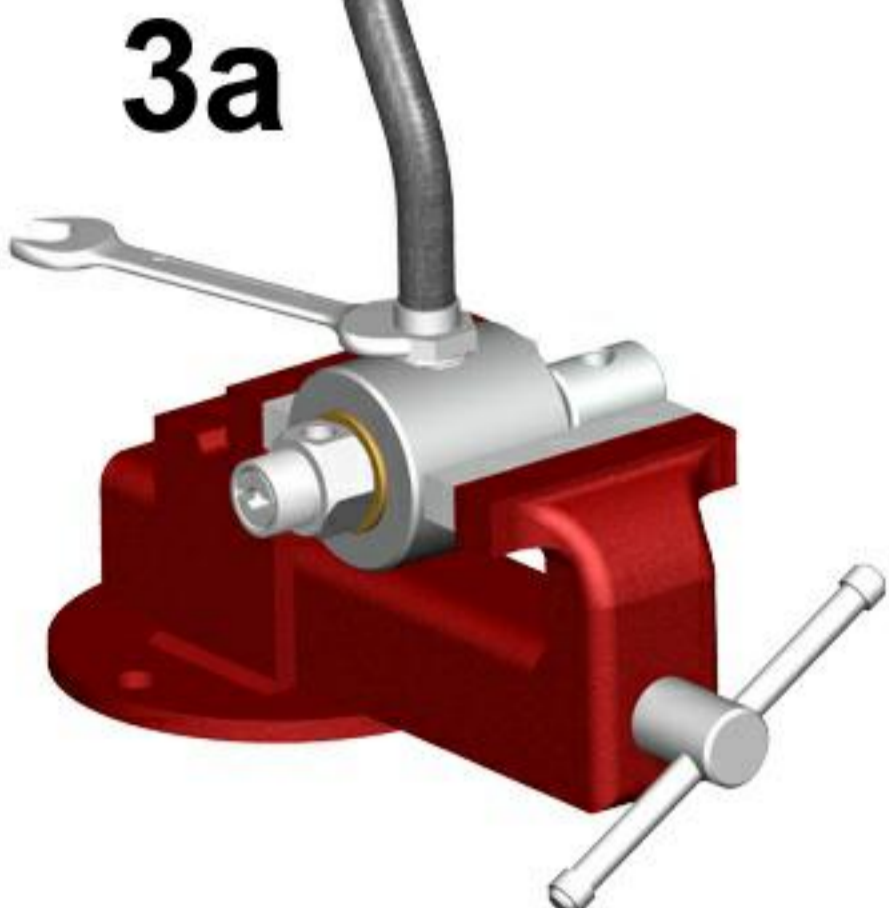
Document No: TL 7 30EG
Release Date: 01.05.2008
Rev No: 00



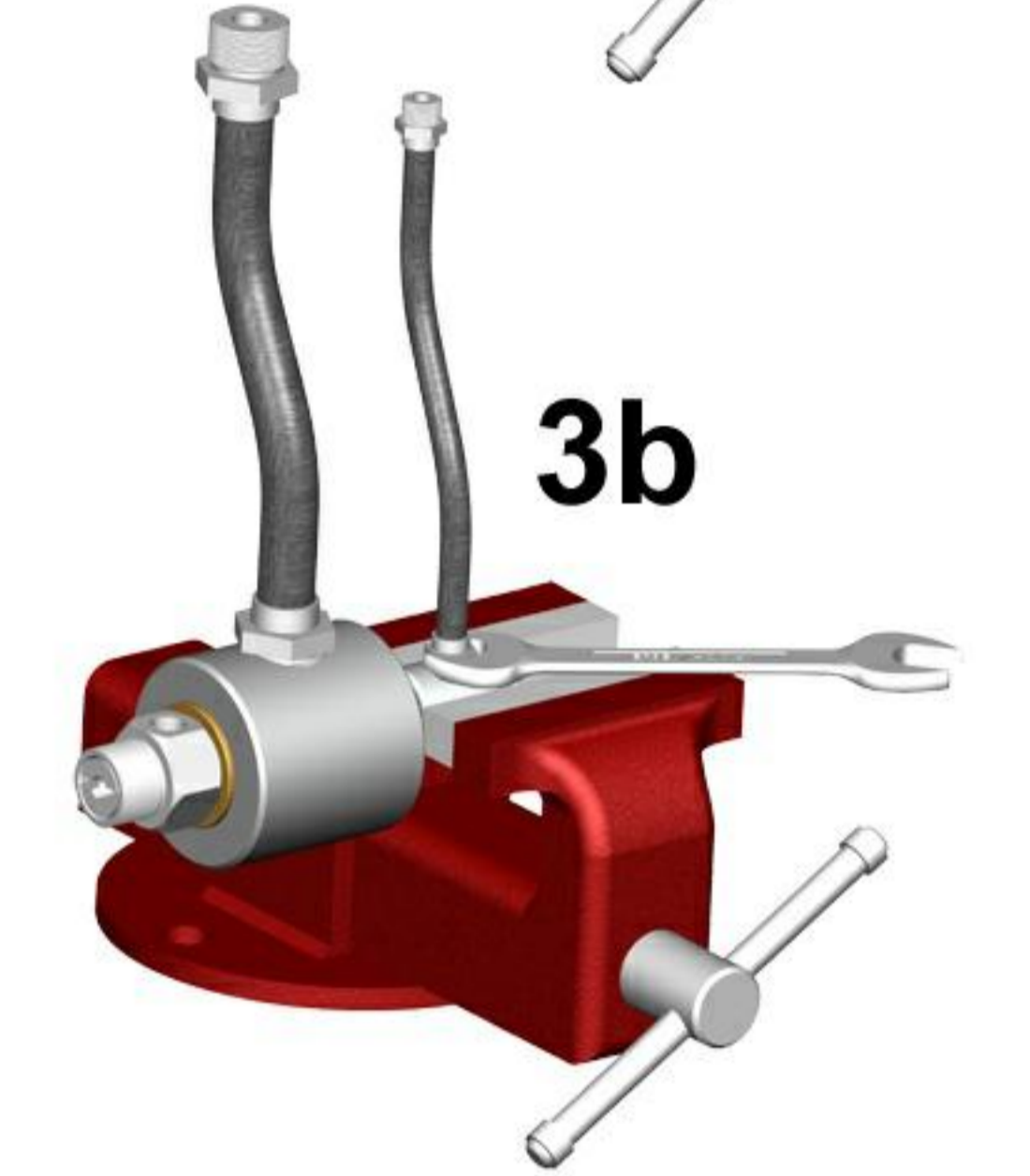
1. First hold the rear of the joint in a bench vise.



2. Assemble the back rotary joint to the front joint tightly.

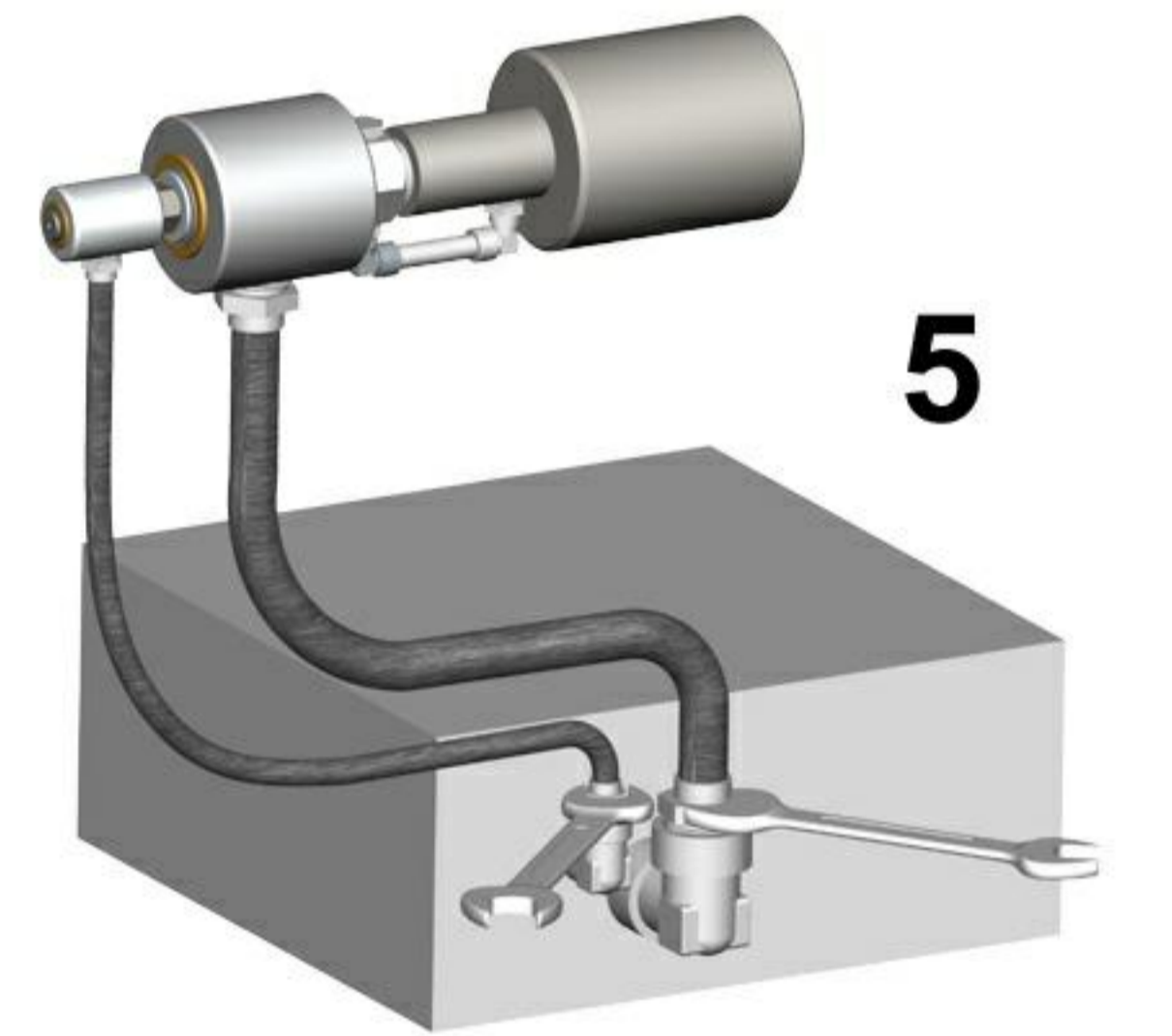


3. While holding the both housings of the joints in a bench vise, assemble the inlet and outlet hoses.



4. After assembling the hoses, install the joint to the machine. When installing, pay attention not to install eccentrically.

5. Connect supply and return lines to the hoses. Control the flexibility of the hoses. Be sure that the hoses are flexible and will be flexible under the pressure and temperature of the medium. Never install the joint directly to the supply and return pipes.



6. After assembling, check if running is smooth. If not, disassemble the joint from the machine and assemble it again.

6000 SERIES ROTATING JOINT HOSE INSTALLATIONS

1. Do not anchor rotary joint. Rotary joints are designed to float with the flexible hoses.



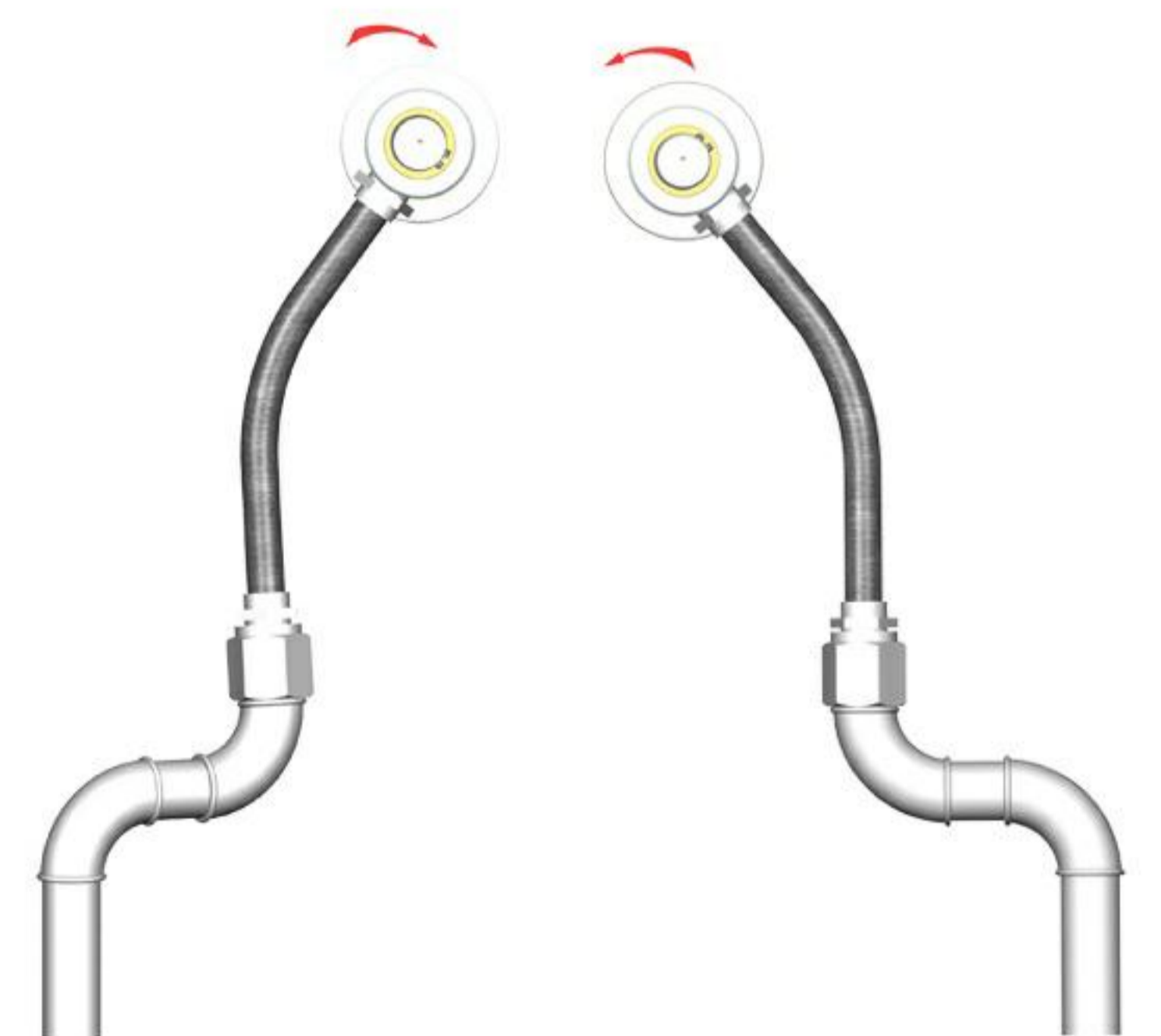
2. Do not pipe directly. Always use flexible hoses.

3. For air and hydraulic use rubber or steel flexible hoses.

4. Install hose with curve in direction of rotation.

5. If rotating joint and pipe axis are not on the same axis, hose must be installed with a smooth curve.

6. Flexible hoses must not be twisted during operation. Twisted hoses lose flexibility. Use pipe fittings for proper installation.



ROTOTECH MAKİNA SAN. VE DIŞ. TİC. LTD. ŞTİ.

Perpa Tic. Merk. B Blok K:2 No:27

Şişli - İstanbul - Rep. Of TÜRKİYE

+90 (212) 320 02 33

+90 (212) 320 02 34

+90 (212) 320 06 73

www.rototech.com.tr

email: info@rototech.com.tr

