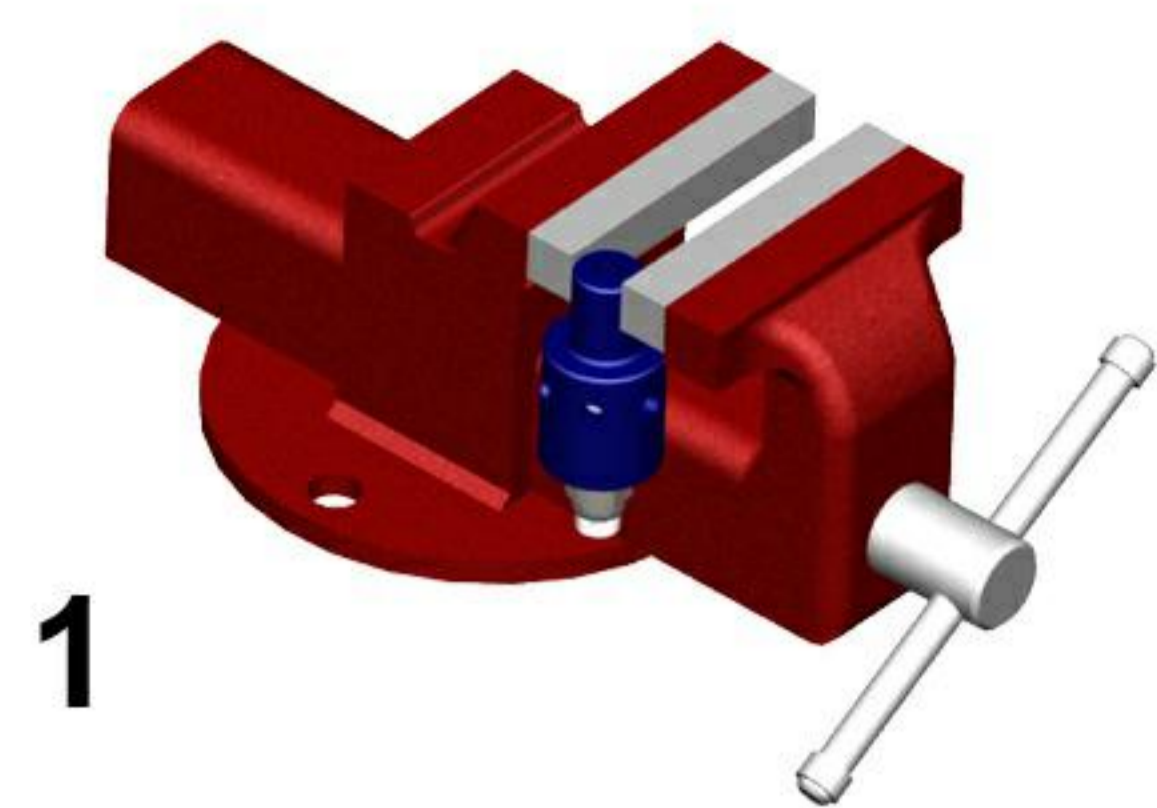


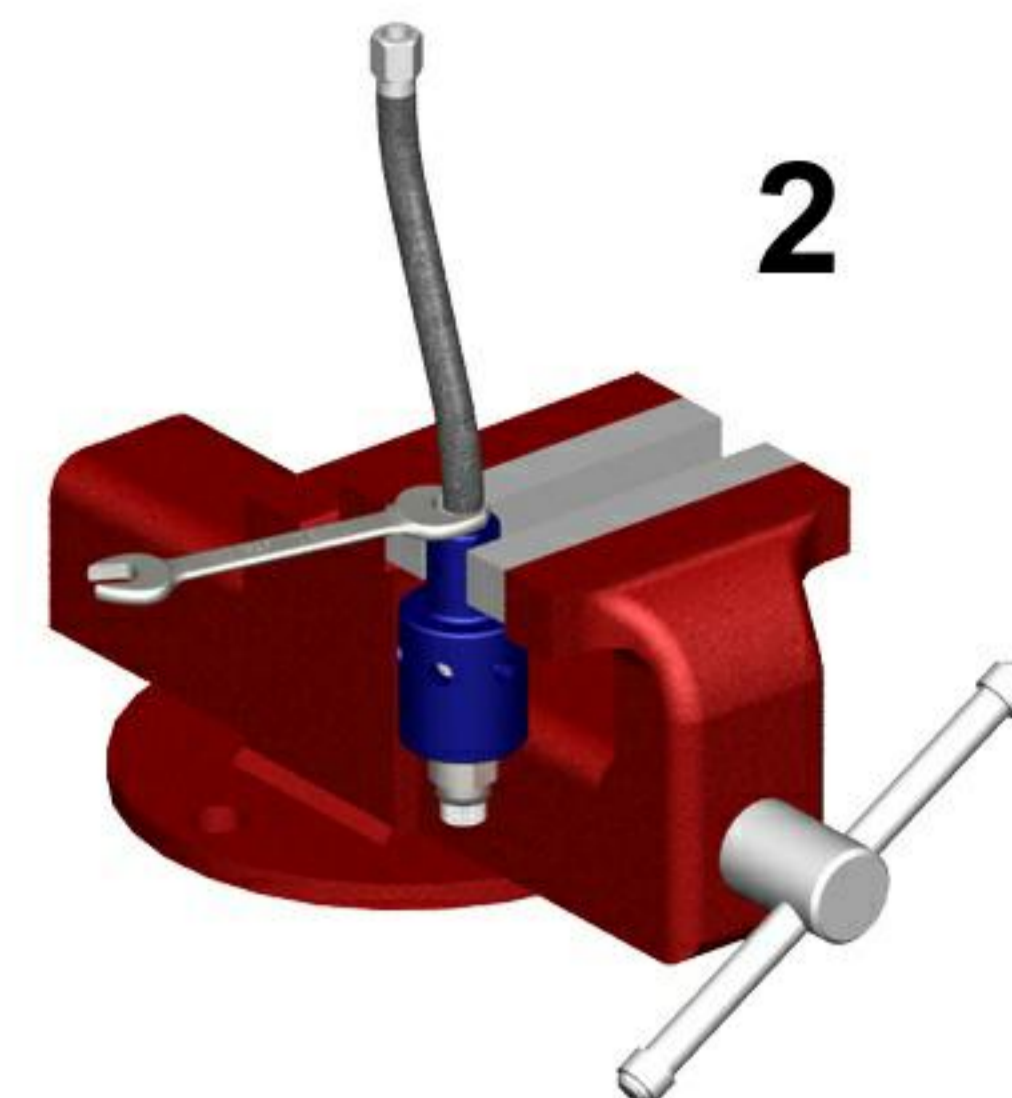
100 SERIES ROTATING JOINTS INSTALLATION INSTRUCTIONS

Document No: TL 7 39EG
Release Date: 01.05.2008
Rev. No: 00

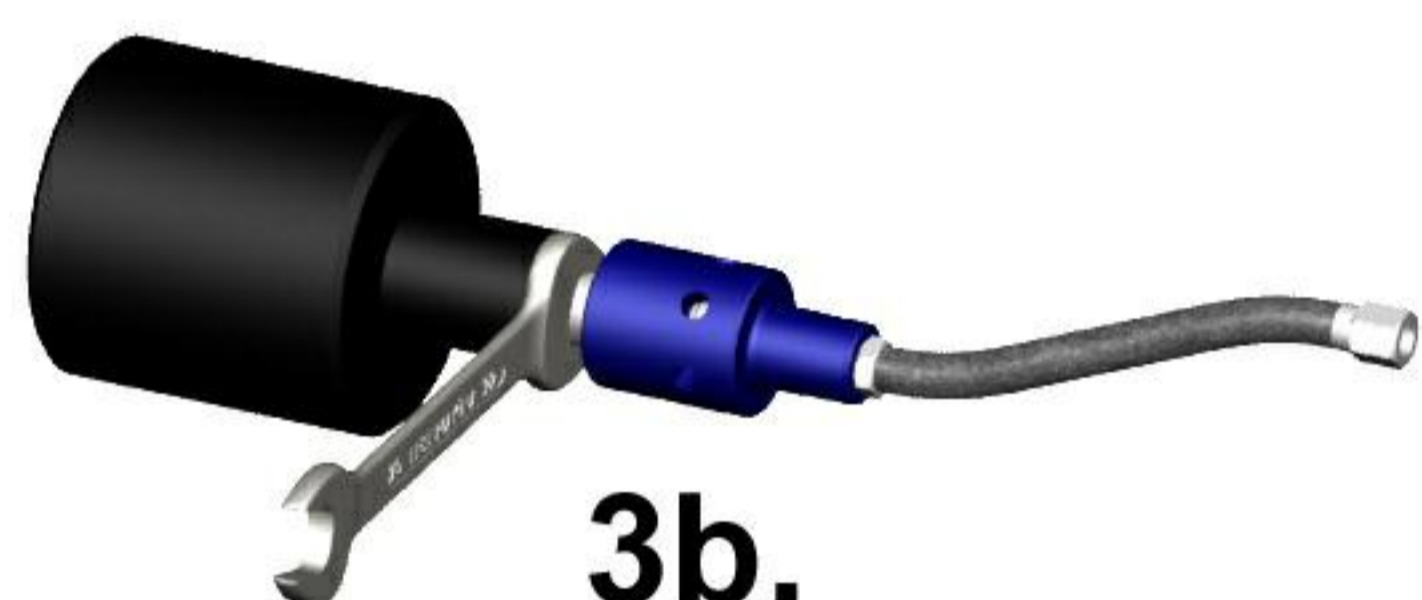
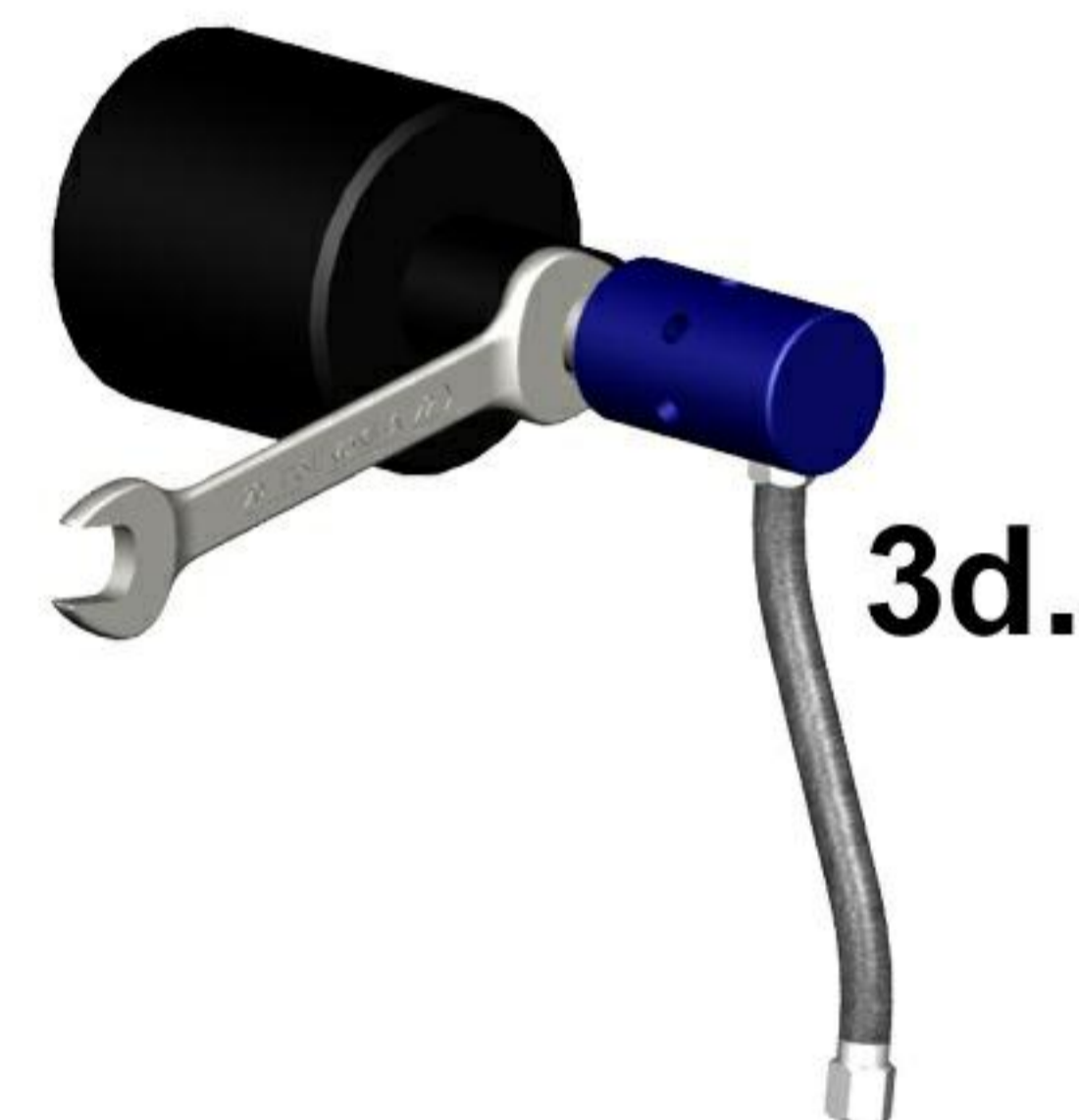
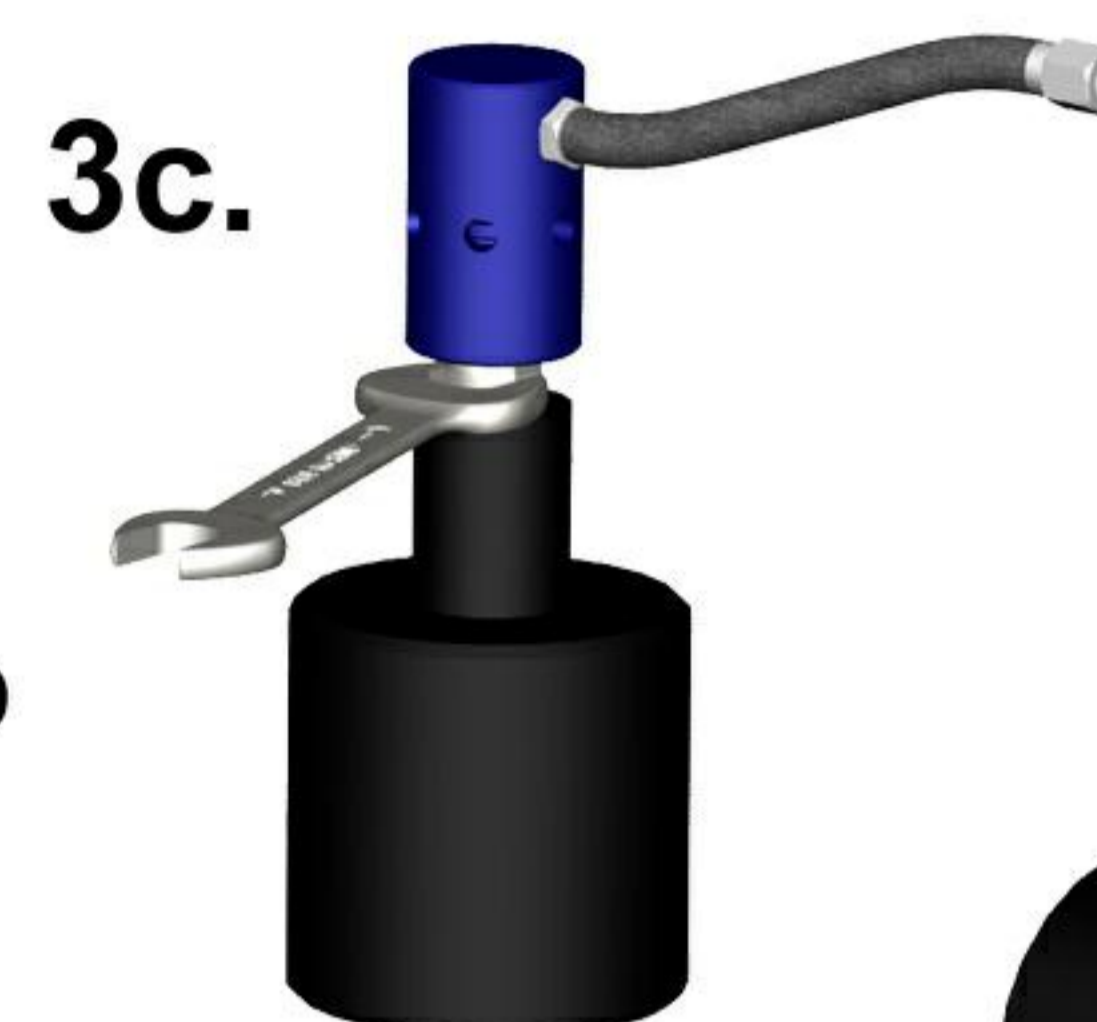


1. First hold the rear of the joint in a bench vise.

2. Assemble the flexible hoses.



3. After assembling the hoses, install the joint to the machine. When installing, pay attention not to install eccentrically.



4. Connect supply line to the hose. Control the flexibility of the hoses. Be sure that the hoses are flexible and will be flexible under the pressure and temperature of the medium.



5. Never install the joint directly to the supply pipe.



6. After assembling, check if running is smooth. If not, disassemble the joint from the machine and assemble it again.

100 SERIES ROTATING JOINT HOSE INSTALLATIONS

1. Do not anchor rotary joint. Rotary joints are designed to float with the flexible hoses.
2. Do not pipe directly. Always use flexible hoses.
3. For steam, hot oil and water use steel flexible hoses; for air and hydraulic use rubber or steel flexible hoses.
4. Install hose with curve in direction of rotation.
5. Flexible hoses must not be twisted during operation. Twisted hoses lose flexibility. Use pipe fittings for proper installation.
6. If rotating joint and pipe axis are not on the same axis, hose must be installed with a smooth curve.

ROTOTECH MAKİNA SAN. VE DIŐ. TİC. LTD. ŐTİ.

Perpa Tic. Merk. B Blok K:2 No:27
ŐiŐli - İstanbul - Rep. Of TURKIYE
+90 (212) 320 02 33
+90 (212) 320 02 34
+90 (212) 320 06 73
www.rototech.com.tr
email:info@rototech.com.tr

