

**INSTALLATION, OPERATION AND
MAINTENANCE INSTRUCTIONS**

Document No: TL 7 22 EG

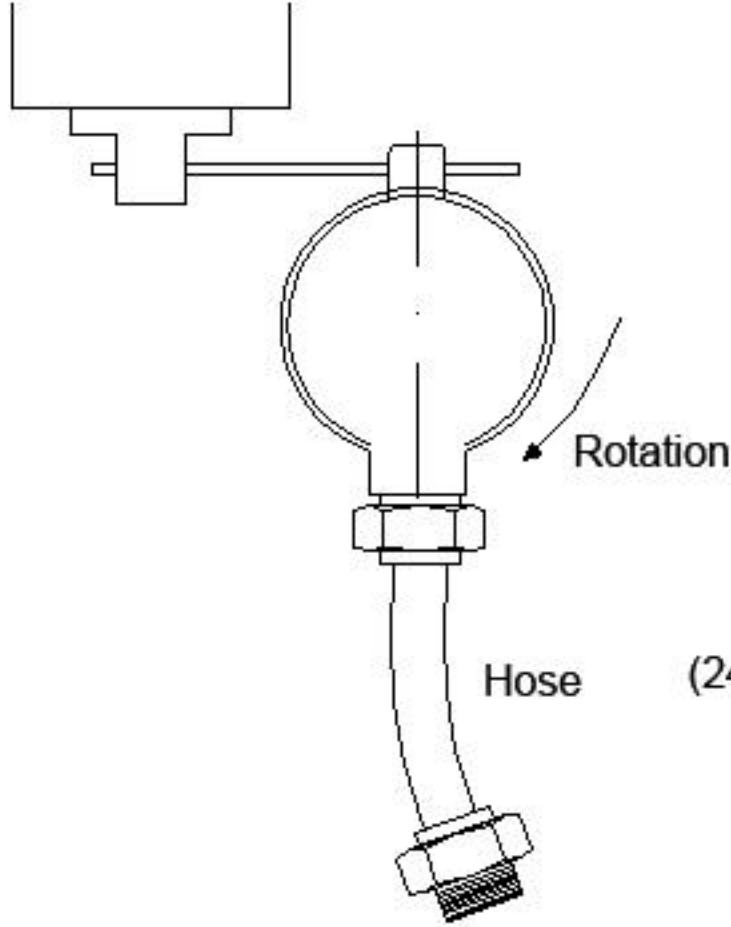
Release Date: 01.05.2008

Rev. No: 00

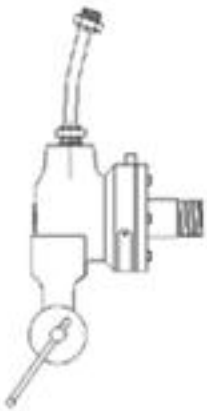
**4000 SERIES
4000HO SERIES**
**SIZES: 1/2", 3/4", 1", 1 1/4",
1 1/2", 2", 3", 4"**

 SINGLE FLOW, DUAL FLOW
INSTALLATION INSTRUCTIONS:

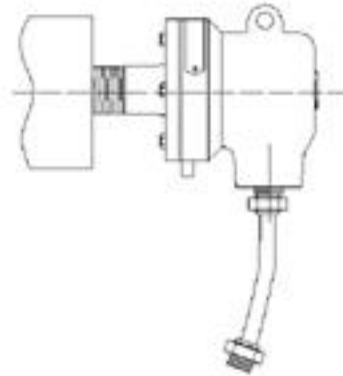
1. Do not anchor rotary joint. Rotary joints are designed to float with the flexible hoses.
2. Do not pipe directly. Always use flexible hoses.
3. Install hose with curve in direction of rotation.
4. 4000 Series are designed for max. 17 bar (245 PSI) and 200°C (390°F). For higher temperatures use 4000HO models.
5. 4000 Series are equipped with carbon seal ring and bearing. Needs no lubrication.
6. For flanged connections, quick release shafts are available for all sizes.


INSTALLATION

1. First hold the rear of the joint in a bench vise and assemble the flexible hoses.



2. After assembling the hoses, install the joint to the machine. When installing, pay attention not to install eccentrically.



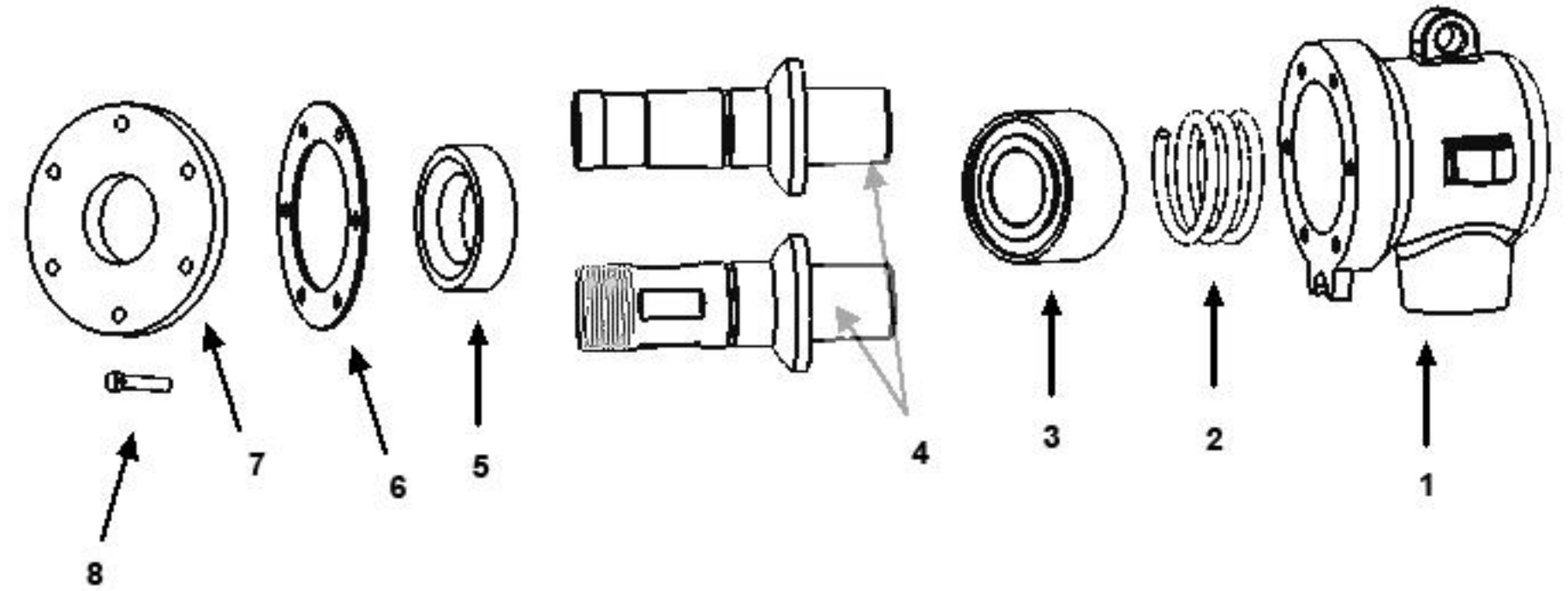
3. Connect supply and return lines to the hoses. Control the flexibility of the hoses. Be sure that the hoses are flexible and will be flexible under the pressure and temperature of the medium. Never install the joint directly to the supply and return pipes.

4. To prevent rotation of the joint, use a bar in a way which will allow the joint to float.

5. After assembling, check if running is smooth. If not, disassemble the joint and assemble it again.

MAINTENANCE

- No lubrication required.
- A wear indicator on the shaft is exposed after %25 of the seal ring life is remained. In this case, the seal ring and all worn out parts must be replaced with new ones and the joint must be assembled with a new gasket.



NO	PART NAME	QTY
1	HOUSING	1
2	SPRING	1
3	GRAPHITE BEARING	1
4	SHAFT	1
(RIGHT HAND/LEFT HAND/QUICK RELEASE)		
5	SEAL RING	1
6	HOUSING GASKET	1
7	HOUSING FLANGE	1
		6 (1/2" - 1 1/4")
8	CAP SCREW	8 (1 1/2")
		10 (2" - 4")

ROTOTECH MAKİNA SAN. VE DIŞ. TİC. LTD. ŞTİ.

Perpa Tic. Merk. B Blok K:2 No:27

Şişli - İstanbul - Rep. Of TÜRKİYE

+90 (212) 320 02 33

+90 (212) 320 02 34

+90 (212) 320 06 73

www.rototech.com.tr

email:info@rototech.com.tr