

**INSTALLATION, OPERATION AND
MAINTANANCE INSTRUCTIONS**

Document No: TL 7 25 EG

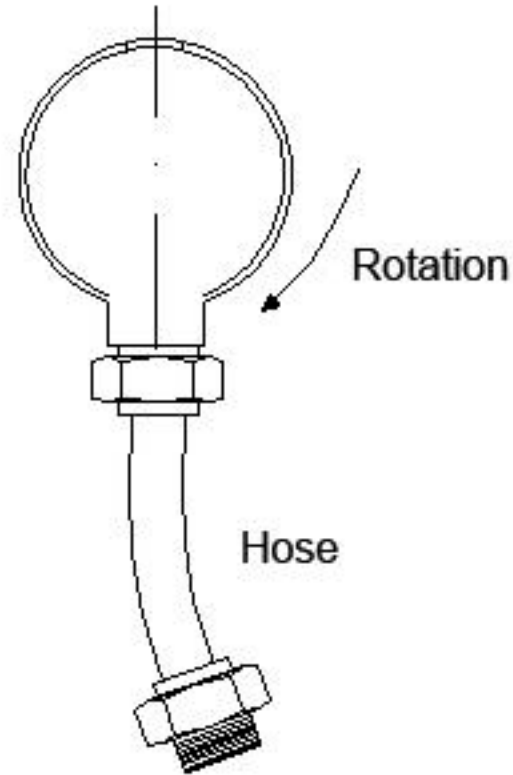
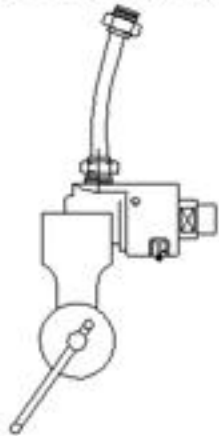
Release Date: 01.05.2008

Rev No: 00

5000 SERIES
**SIZE: 1/8", 1/4", 3/8", 1/2",
3/4", 1", 1 1/4", 1 1/2"**
 SINGLE FLOW

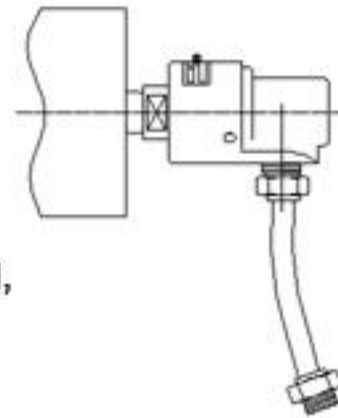
INSTALLATION INSTRUCTIONS

1. Do not anchor rotary joint. Rotary joints are designed to float with the flexible hoses.
2. Do not pipe directly. Always use flexible hoses.
3. Install hose with curve in direction of rotation.
4. 5000 Series are designed for max. 200 bar (2900psi) for hydraulic, 10 bar(150psi) for air, max. 6.7 kPa for vacuum and for 120°C.
5. 5000 Series are designed to be lubricated with the medium passing inside. Do not use dry.
6. Consult factory for SAE3000 ve SAE6000 connections.


INSTALLATION


1. First hold the rear of the joint in a bench vise and assemble the flexible hoses.

2. After assembling the hoses, install the joint to the machine. When installing, pay attention not to install eccentricly.

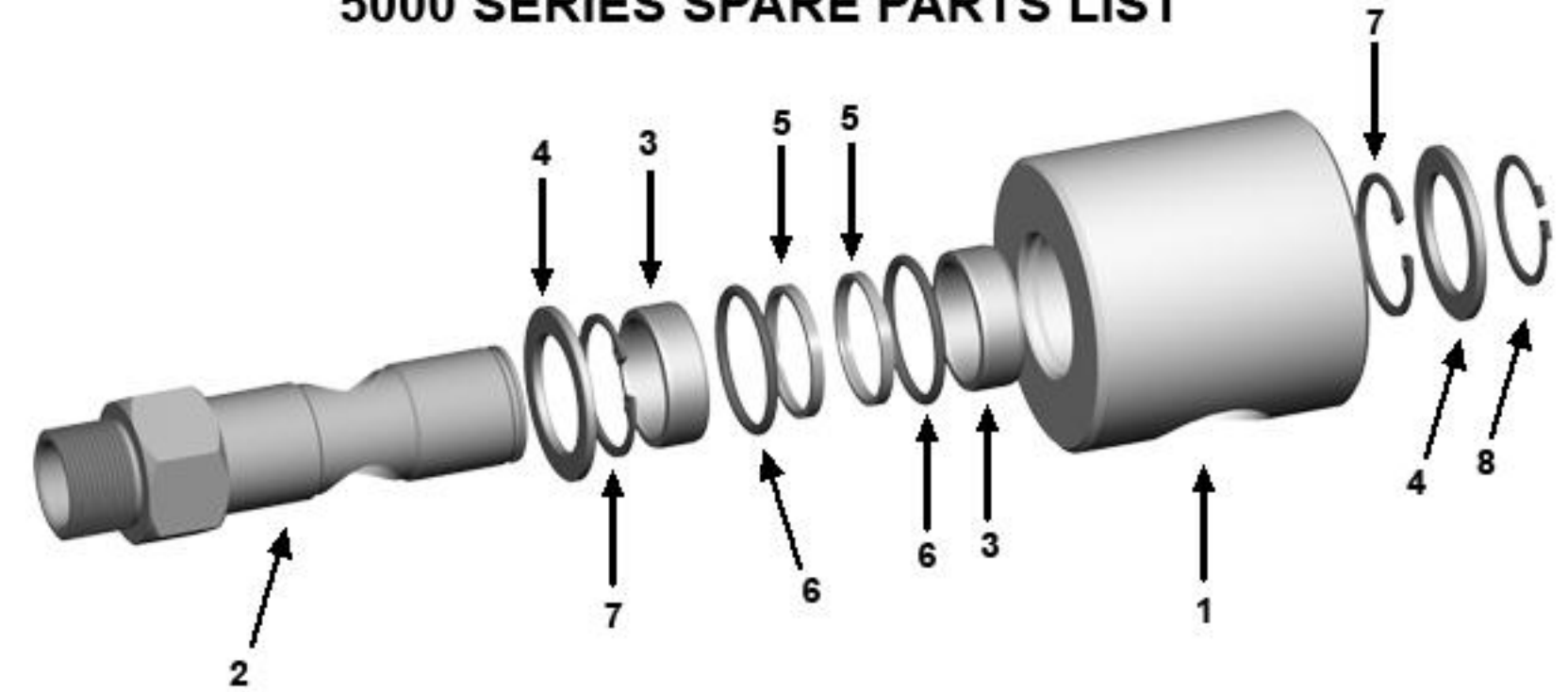


3. Connect supply and return lines to the hoses. Control the flexibility of the hoses. Be sure that the hoses are flexible and will be flexible under the pressure and temperature of the medium. Never install the joint directly to the supply and return pipes.

4. After assembling, check if running is smooth. If not, disassemble the joint and assemble it again.

MAINTANANCE

- 5000 Series do not need lubrication.
- When leakage occurs, rotary joint must be disassembled from the machine and all worn-out parts and o-rings must be changed. Pay attention not to wear new o-rings when assembling. Leaking rotary joints must not be used.

5000 SERIES SPARE PARTS LIST


NO	PART NAME	QTY
1	HOUSING	1
2	SHAFT	1
3	BRONZE BEARING	2
4	BRONZE SPACER	2
5	BACK-UP	2
6	O-RING	2
7	INT. RET. RING	2
8	EXT. RET. RING	1

ROTOTECH MAKİNA SAN. VE DIŞ. TİC. LTD. ŞTİ.

Perpa Tic. Merk. B Blok K:2 No:27

Şişli - İstanbul - Rep. Of TÜRKİYE

+90 (212) 320 02 33

+90 (212) 320 02 34

+90 (212) 320 06 73

www.rototech.com.tr

email:info@rototech.com.tr